

5427 Series

USB Type C R/A Top Mount Hybrid TH and
SMT CL:1.6mm

Ordering Information

5427 - X11 - 03X - H1

Halogen Free

Contact Area Plating:
0: Gold Flash/Tin
3: 30u"Gold/Tin



Specification

Material:

◆ Insulator:

Thermoplastic UL 94V-0
Color: Black

◆ Contact: Copper Alloy

◆ Shell: Stainless Steel

Electrical:

◆ Contact Current Rating:

VBUS and GND Contacts Rated at 1.25A EA.,
Paralleled for a Total of 5A

◆ Rated voltage: 5V Max.

◆ Dielectric Withstanding Voltage:

100VAC Min.

◆ Contact Resistance:

40mΩ Max. for VBUS, GND and Other Contacts
50mΩ Max. after Environment Test.

◆ Insulation Resistance:

100 MΩ Min.

Mechanical:

◆ Insertion Force: 5~20N

◆ Withdrawal Force: 8~20N

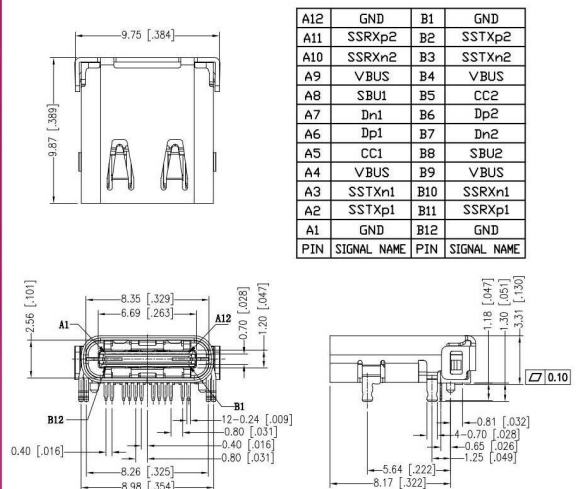
Environmental:

◆ Temperature range: -55°C to +85°C

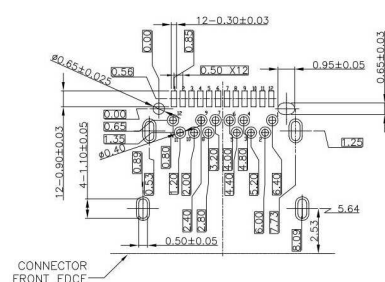
❖ The above ordering data is for our standard products. For Non-Standard products, please contact us.

Drawing

5427-X11-03X-H1 Series



RECOMMENDED P.C.B. LAYOUT



* ALL DIMENSIONS ARE SHOWN IN mm/in